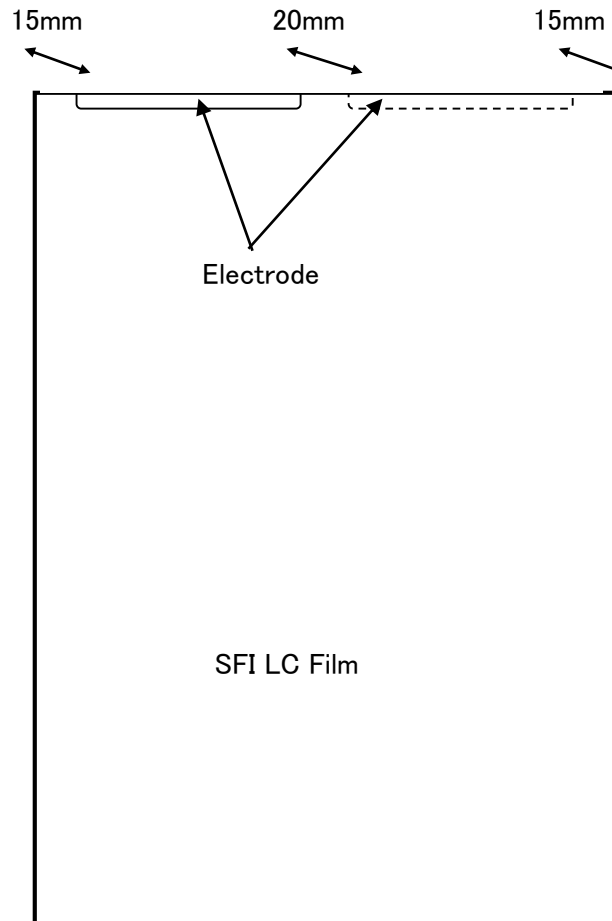


SFI BUSBAR RATIO



Note:

Single Side Electrodes is our standard style, and the maximum rate we recommend for this style is 7. When the rate is over 7, we adopt Opposite Double Side Electrodes.